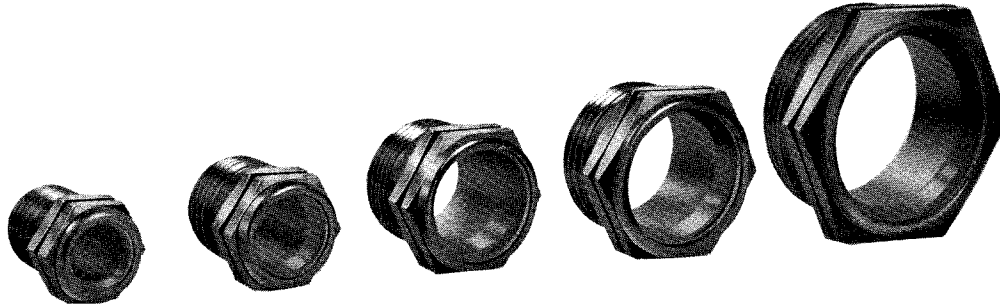


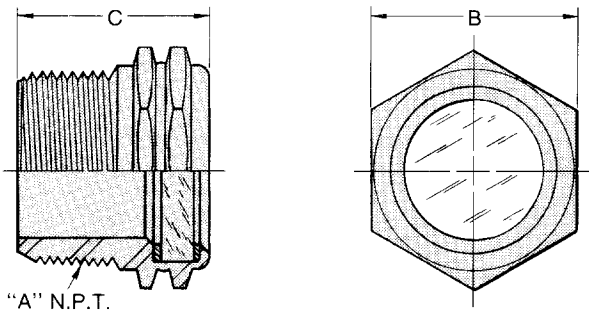
ECLIPSE PEEPSIGHT ASSEMBLIES



In this bulletin you will find descriptive information concerning a variety of peepsight assemblies available for various combustion needs. Generally speaking, the single piece units are designed for installation on the burner. The 2/3 union assemblies may be installed on or adjacent to the burner or in the wall of

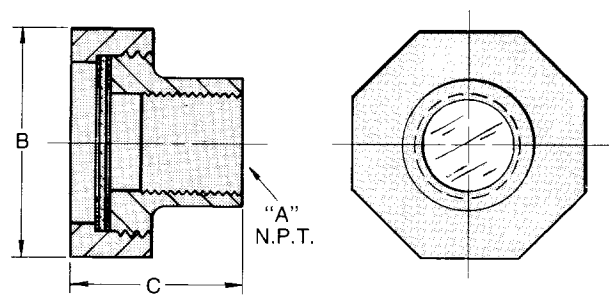
the appliance itself. The large peepsights in the third grouping are assemblies containing blast gates so that the sight port can be closed off. Blast gate peepsights are designed for use on the appliance wall. The last group, the rectangular peepsight assemblies, are designed for mounting in a duct or for use as a furnace viewing port.

SINGLE PIECE PEEPSIGHTS



Assy. No.	Dimensions in Inches			Max. Operating Press. @ 100°F.*
	A	B	C	
17003	3/8	3/4	1	275 PSI
11737	1/2	7/8	1	275 PSI
10509	3/4	1-1/8	1	200 PSI
13225	1	1-3/8	1	150 PSI

2/3 UNION PEEPSIGHTS



Assy. No.	Dimensions in Inches			Max. Operating Press. @ 100°F.*
	A	B	C	
120051	1-1/4	2-3/4	1-7/8	60 PSI
120053	1-1/2	3	2-1/8	45 PSI
120054	2	3-5/8	2-3/8	30 PSI
120060	3	5-3/4	2-1/2	15 PSI

* MULTIPLIER TABLE

Ambient Temp.	400°F.	500°F.	600°F.	700°F.
Multiplier	.6	.3	.1	0

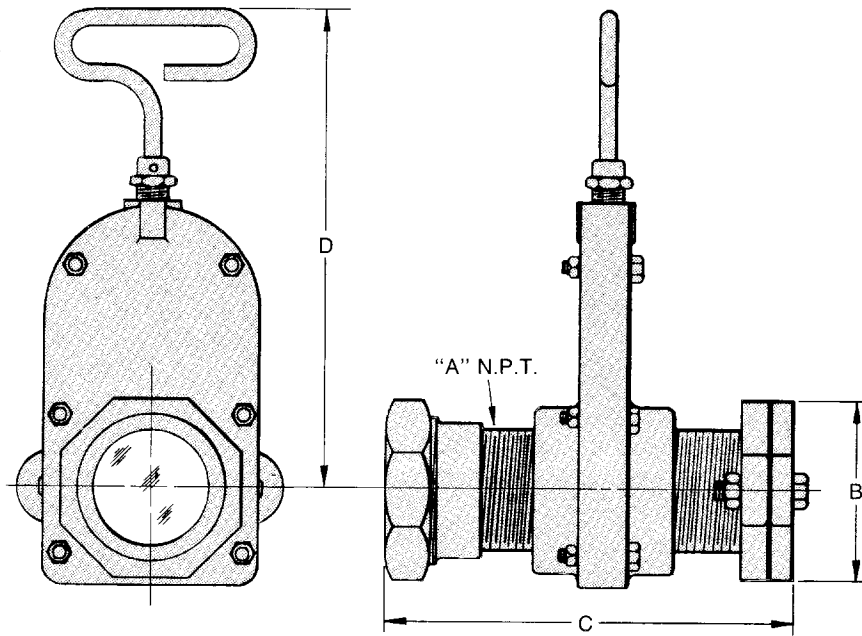
For maximum pressure at other temperatures, multiply the pressure rating at 100°F. by the correct multiplier from the table.



Eclipse Combustion

ISO 9001 Registered

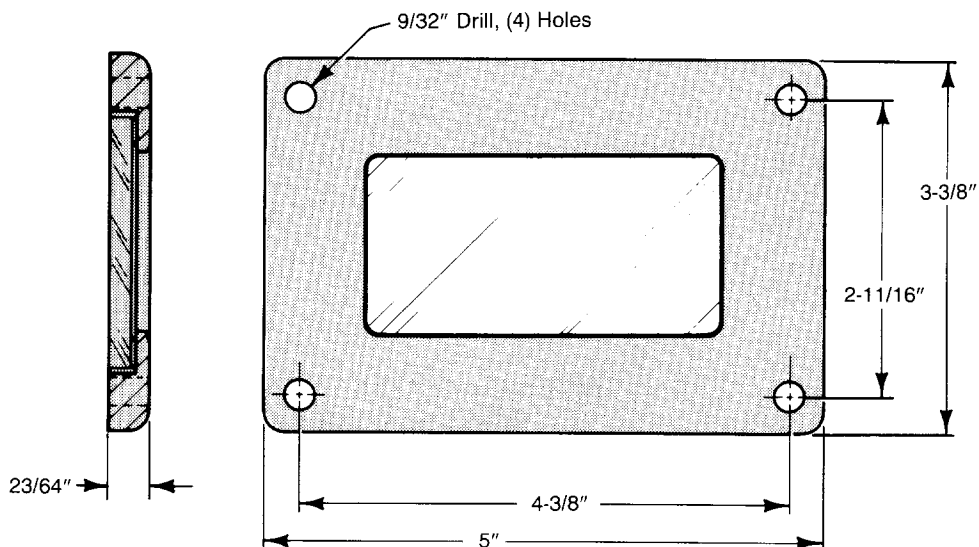
BLAST GATE PEEPSIGHTS



Assy. No.	Dimensions in Inches				Max. Operating Press. @100°F.*
	A	B	C	D	
120061	1-1/2	4-1/4	7	6-3/4 Closed 8-1/2 Open	45 PSI
120058	2	5	7-1/2	9 Closed 11-1/2 Open	30 PSI
120059	3	6-1/8	9-1/2	10 Closed 12-3/8 Open	15 PSI

*For maximum pressures at other temperatures, see the multiplier table, page 1.

RECTANGULAR PEEPSIGHT ASSEMBLY ASSEMBLY NO. 120072



Maximum temperature rating is 450°F. Use with ambient pressure only.



Eclipse Combustion
ISO 9001 Registered

Litho in U.S.A.



Offered By:

Power Equipment Company
2011 Williamsburg Road
Richmond, Virginia 23231
Phone (804) 236-3800
Fax (804) 236-3882

www.peconet.com